

THE Tri-Skate

another load moving solution!



...S TEERMAN[®]
LOAD MOVING SYSTEMS

The Steerman Tri-Skate is a versatile load moving system designed to solve a wide range of awkward material handling problems.

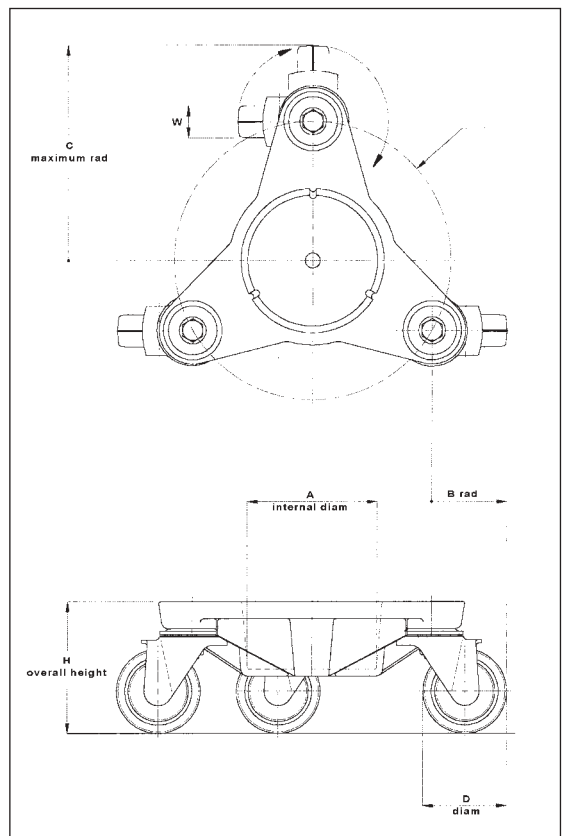
Features include:

- Lightweight aluminium body.
- Carrying capacity up to 750kgs each.
- Professional build quality.
- Modular concept allows linking of units.
- Polyurethane wheels.

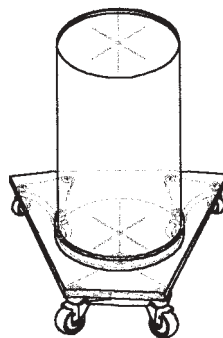
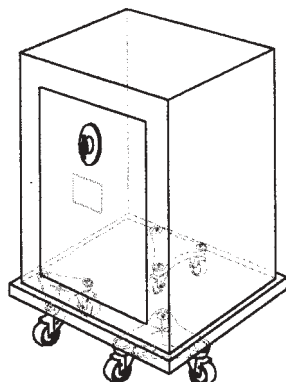
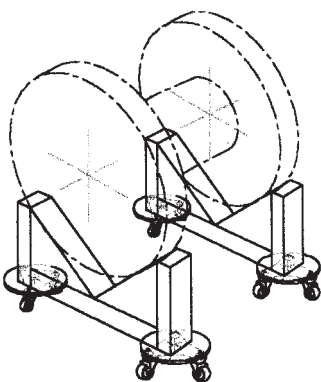


Technical Information

Model		Tri-Skate G-750
Safe Working Load		750kgs
Dimensions	A	150mm
	B	90mm
	C	255mm
	D	100mm
	H	158mm
	W	44mm



Examples of Tri-Skate applications:



STEERMAN LOAD MOVING SYSTEMS

7A, Hortonwood 10
Telford
Shropshire
TF1 7ES
United Kingdom
Tel: +44 (0) 1952 605500
Fax: +44 (0) 1952 277610
Email: sales@steerman.co.uk
Web Site: www.steerman.co.uk