

Steerman's product range consists of shifting skates, a wide choice of hydraulic jacks together with specialist industrial trailers designed and manufactured to suit customer's particular needs. An ever increasing range of material handling equipment currently includes pallet trucks, manual and powered stackers and engineer's tools.

# Shifting Pallets

*the professional way!*

Also available from Steerman Load Moving Systems:



- **Full Range of Hydraulic Jacks**

Steerman offer a wide choice of premium quality hydraulic jacks designed to compliment our skate range. These robust jacks have been developed to work under the severest of conditions with minimum maintenance.



- **Full Range of Nylon Wheeled Skates**

All Steerman load moving skates comprise of a steerable front section and a pair of adjustable rear trolleys. These innovative systems are available in capacities ranging from 5 to 100 tonnes and can be stripped down to component parts for easy transportation.




---

**STEERMAN LOAD MOVING SYSTEMS**

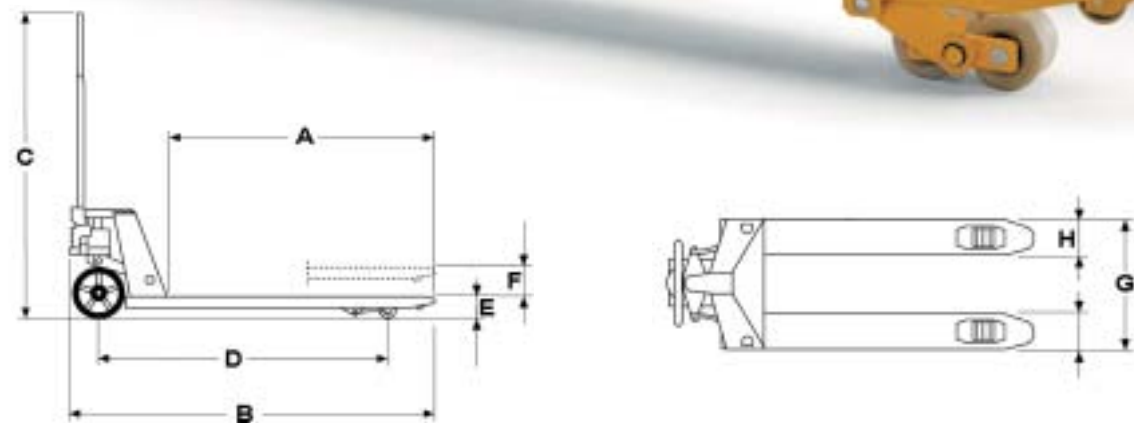
7A, Hortonwood 10  
Telford  
Shropshire  
TF1 4ES  
United Kingdom  
Tel: +44 (0) 1952 605500  
Fax: +44 (0) 1952 277610  
Email: [sales@steerman.co.uk](mailto:sales@steerman.co.uk)  
Web Site: [www.steerman.co.uk](http://www.steerman.co.uk)



# No Nonsense!

## Robust & reliable 2.5 & 3tonne Steerman hand pallet trucks

- Euro pallet compatible.
- Maintenance-free wheel bearings giving low rolling resistance.
- Ergonomically designed handle and lever with spring-return to give smooth, safe lifting and lowering.
- Torsion resistant pressed steel construction for rigidity.
- Polyurethane steer wheels.
- Tandem polyamide front wheels with fork entry wheels for bottom boarded pallets.
- Serviceable hydraulics.
- Available ex-stock.



Model	Capacity kgs	A mm	B mm	C mm	D mm	E mm	F mm	G mm	H mm	Weight kgs
HU Profi 25t	2500	1150	1525	1230	1205	80	120	520	150	74
HU Profi 25tx	2500	1150	1595	1230	1275	80	115	686	150	88
HU Profi 30t	3000	1150	1525	1230	1205	80	120	520	150	94



**Stainless steel hand pallet truck, 2 tonne.**  
**Model: HU PE**

- Increased corrosion protection.
- Suitable for foodstuff applications such as meat and dairy produce processing or pharmaceuticals.
- Polyamide steer and load wheels offer greater resistance to aggressive chemicals.

The stainless steel hand pallet truck HU PE can be found in all applications where hygiene is critical. The stainless steel construction guarantees cleanliness, corrosion protection and robust construction.



**Hand pallet truck with weighing system**  
**Model: HU PW**

- Weighing and transporting in-coming and out-going goods in a single operation.
- No unnecessary transportation of goods.
- Weights up to 2000kgs, smallest value 1kg.
- Standard features: tare, RS 232 interface, automatic zero, counting function, totaliser function, split-range weighing, LED display, battery and charger included.
- Can be supplied with or without thermal printer (optional).
- Steer wheels: Polyurethane.
- Load rollers: Polyamide.



**WEIGHING AND TRANSPORTING IN ONE OPERATION!**

### Steerman, a pallet truck for every job.

Steerman's range of pallet trucks is second to none. Whatever your application is, if there is a pallet truck that will do the job, then we'll have it!

- Fork lengths from 800 - 2000mm.
- Load capacities from 1000 - 3000kgs.
- Fork widths of 400, 520 and 686mm.
- Low profile forks.
- Quick lift versions.



**WIDE RANGE TO SUIT ALL APPLICATIONS!**