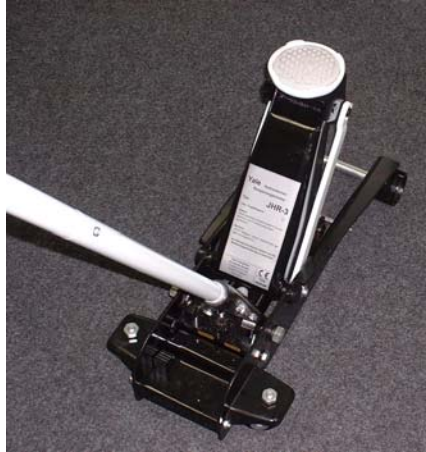


Professional hydraulic garage jack - type: JHR-3



Area of application:

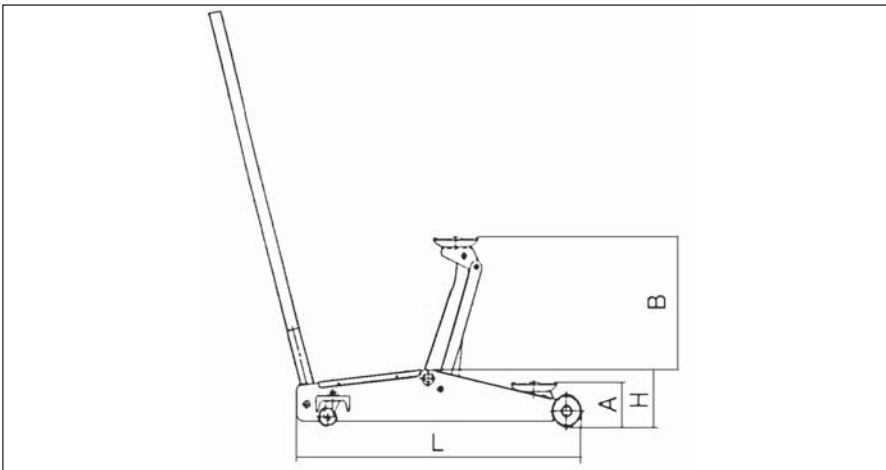
Hydraulic garage jacks are used in the automobile industry for lifting cars fast and efficiently.

Description:

- Integral hydraulic pump
- Patented "**Speed-Lift**" for fast lifting speed
Only a few pumps are enough to raise the jack to the load position.
- A complete metal construction guarantees a high degree of safety even at full loads.
- Solid, wide metal wheels ensure good

- weight displacement and stability
- Solidly welded, twist-free steel construction.
- High quality, long life hydraulic components
- The integral pump is protected through a pressure relief valve
- By turning the pump lever anti-

- clockwise, the release valve is opened ensuring a smooth and controllable lowering of the load.
- Supplied complete with jack lever and pre-filled with oil.



Jack type	Capacity t	stroke B mm	min. height A mm	Pump lever length mm	Ø saddle mm	Length L mm	Width mm	Height H mm	Approx. weight kg
JHR-3	3	359	145	1.070	125	690	337	163	38,0