

Mini Weigher *plus*



100kg to 5t capacities



Rugged & weatherproof



Overload Counter



Audible setpoint alarm



Multi-range



Peak hold function



Specifications

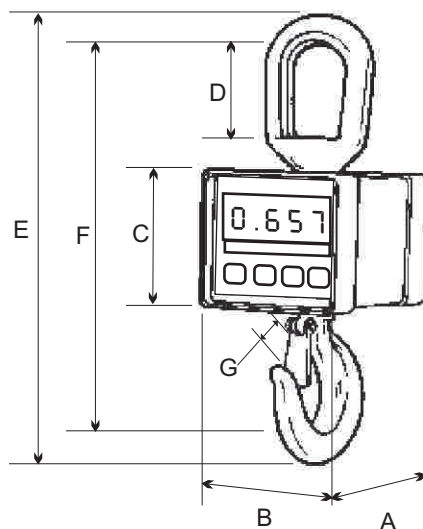
Our most popular product, manufactured since 1987.

This crane scale will suit most lifting applications. Available in capacities from 100kg to 5 tonnes. All MWP's have push button control for: tare, units (kg, lbs, kN & t), peak hold, pre-set tare, audible setpoint alarm and overload counter.

Supplied with high quality Crosby hook and lifting eye.

Other fittings such as Gunnebo or rod ends are available on request.

Capacities up to 1 tonne supplied with carry case.



Specifications

Part Number	MWP100KG	MWP250KG	MWP500KG	MWP1T	MWP2T	MWP5T
Capacity	100kg	250kg	500kg	1t	2t	5t
Resolution	0.05kg	0.1kg	0.2kg	0.0005t	0.001t	0.001t
Units	t, kg, kN & lbs					
Weight	1.5kg	1.5kg	1.5kg	1.5kg	3.1kg	8.7kg
Safety Factor	10:1	5:1	5:1	5:1	5:1	5:1
Protection	IP65					
Battery Type	9v PP3					
Battery Life	80hrs continuous					
Display Type	25mm LCD					
Operating Temp	-10 to 50c					
Accuracy	+/- 0.3% of applied load					
Dimension A	82mm	82mm	82mm	82mm	117mm	136mm
Dimension B	113mm	113mm	113mm	113mm	112mm	112mm
Dimension C	81mm	81mm	81mm	81mm	92mm	92mm
Dimension D	50mm	50mm	50mm	50mm	64mm	98mm
Dimension E	240mm	240mm	240mm	240mm	320mm	444mm
Dimension F	208mm	208mm	208mm	208mm	271mm	365mm
Dimension G	22mm	22mm	22mm	22mm	28mm	42mm